

Product features

- Bluetooth-controlled Casambi-enabled
- Long-range, one-channel 0...10 V/DALI 2 controller with built-in 16 A relay
- Simply remove a standard 1/2" knockout to install the compact module
- 12...24 Vdc input for a motion sensor
- Use of a relay, 0...10 V dimming, DALI dimming and a 1/2" knock-out enable, compatibility with many standard industry fixtures
- Commissioned via smart mobile app; compatible devices: iOS and Android operating systems
- Controlled via smart mobile app and sensors
- Utilizes bluetooth mesh technology for reliable and secure wireless communication
- The zero voltage detection circuit guarantees long lifespan of the relay
- 5 years warranty

CASAMBI



Electrical specifications

Mains voltage supply

Rated input voltage range	120...277 Vac
Max. input voltage range	108...305 Vac
Rated frequency range	50/60 Hz
Max. input current	0.04 A
No-load standby power	< 0.5 W
Max load current	5.0 A
RF transmit power	+ 8 dBm
Turn-on delay time	< 0.5s
Max 0...10 V sinking current	100 mA
Wireless frequency	2.4 GHz
Wireless range (open air)	30 m

Protection against voltage peaks

Withstand voltage	l/p-O/p: 1.5 kVac, < 5 mA 60 sec
Mains surge immunity	L-N 1 kV, L-E 2 kV, N-E 2 kV

Relay contact rating

Rated input voltage range	120...277 Vac
Max. input voltage range	108...305 Vac
Rated frequency range	50/60 Hz
Rated input current	5 A

Output data

Output voltage 0...10 V	0...10 Vdc
Output current 0...10 V	100 mA
Output voltage DALI	12 Vdc

Output current DALI	20 mA
---------------------	-------

Sensor Input

Sensor type	Motion (ON/OFF)
Input voltage	12...24 Vdc
Input current	1...5 mA

Connection terminals

Fixed Device	Locknut with 1/2" NPT-thread
Mains input L	12 AWG
Mains input N	18 AWG
Galvanically isolated Relay output	12 AWG
The low voltage sensor input	18 AWG
The low voltage output (0-10 V/DALI)	22 AWG

Environmental specifications

Operating temperature	-20...+55°C
Storage temperature	-20...+75°C
Working humidity	10%...90%
Store humidity	5%...95%
Lifetime rating	50,000 hrs
Moisture and dust rating	IP20

Safety & EMC compliance

UL
UL8750
CSA C22.2 No.250.13

CCC
/
/
/

SAA
/
/
/

Dimensions

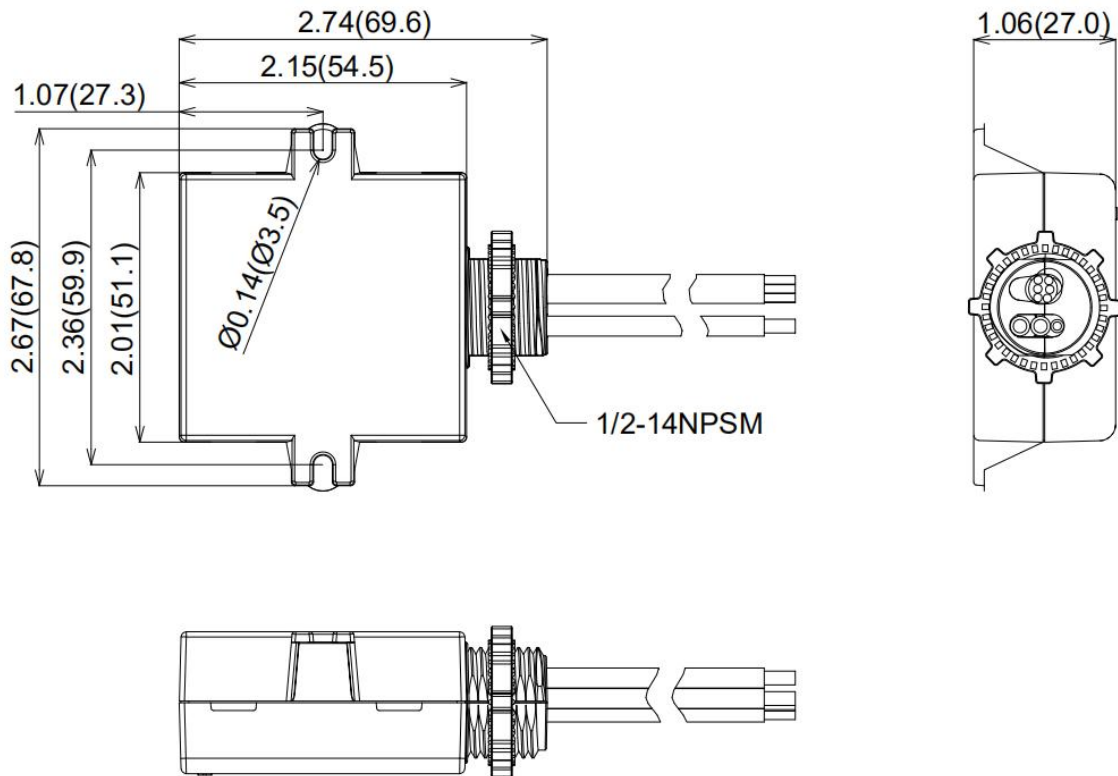
Housing dimensions

Length (L)	2.74 in (69.6 mm)
Width (W)	2.67 in (67.8 mm)
Height (H)	1.06 in (27.0 mm)

For all dimensions: values in in/mm, tolerances: ± 0.5 mm

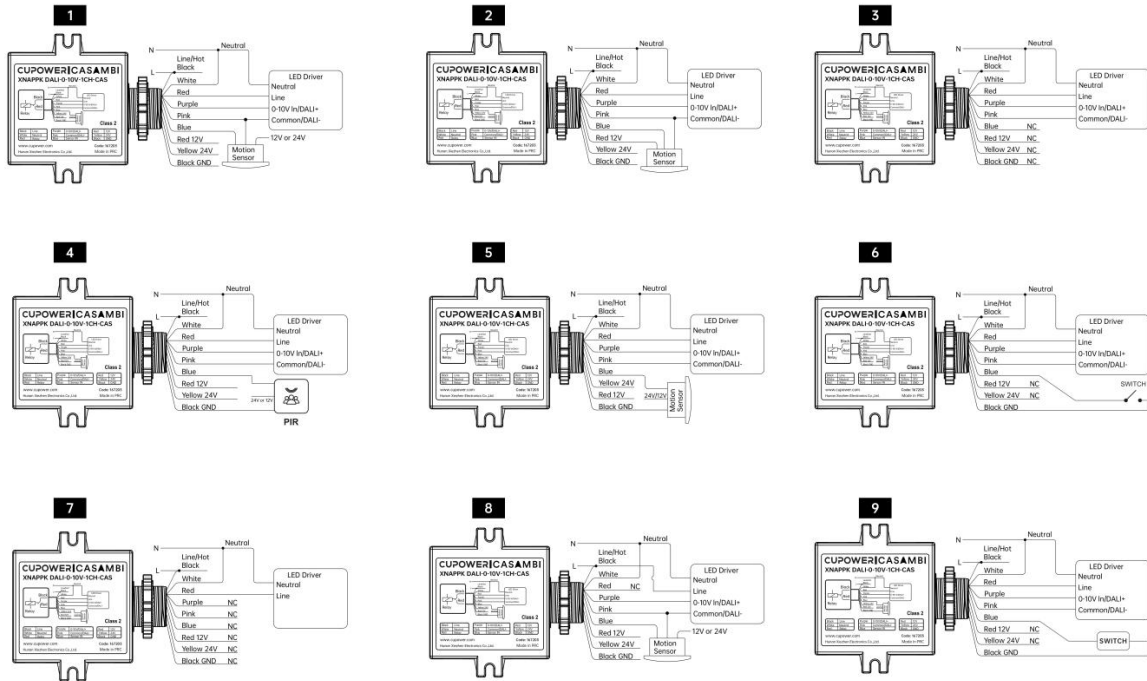
Packaging details

Packing units	40 pcs
Carton size	21.67 x 10.28 x 8.58 in (322.0 x 260.0 x 218.0 mm)
Carton weight	5 kg
Product weight	0.11 kg



Apply Wiring Diagram

WIRING DIAGRAMS



Wire Specifications

Name	Function	Color	Gauge	Type	Length	Strip Length
L	Input hot	Black	12 AWG	Solid	6.49 in (165 mm)	0.31...0.39 in (8...10 mm)
L1	Switched hot out	Red			6.49 in (165 mm)	0.31...0.39 in (8...10 mm)
N	Neutral	White	18 AWG		6.49 in (165 mm)	0.31...0.39 in (8...10 mm)
0...10 V+/DALI+	Dimming level	Purple	22 AWG		6.49 in (165 mm)	0.31...0.39 in (8...10 mm)
0...10 V-/DALI-	Low voltage common	Pink			6.49 in (165 mm)	0.31...0.39 in (8...10 mm)
Sensor	Sensor high & low level input	Blue			6.49 in (165 mm)	0.31...0.39 in (8...10 mm)
12V	Auxiliary source 12 V 0.1 A	Red			6.49 in (165 mm)	0.31...0.39 in (8...10 mm)
24V	Auxiliary source 24 V 0.1 A	Yellow			6.49 in (165 mm)	0.31...0.39 in (8...10 mm)
GND	GND	Black			6.49 in (165 mm)	0.31...0.39 in (8...10 mm)

- All connections must be as short as possible to ensure good EMI performance.
- No secondary switches are allowed.
- Incorrect wiring can damage the fixtures.
- The wire must be well protected against short circuit.