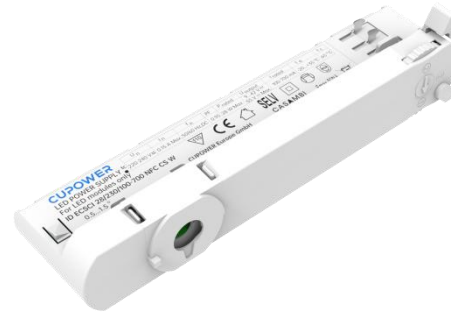


### Product features

- Isolated adjustable power LED driver
- Current adjustment via NFC
- Constant lumen output (CLO)
- Output current 100...700 mA
- Max. output power 28 W
- DC emergency
- Flicker-free, dimming range 1%...100% (amplitude dimming)
- Current output default value 100%
- For luminaires with protection class II

CASAMBICE 



### Product specifications

168163 ID ECSCI 28/230/100-700 NFC CS W

Output current	Input voltage	Output voltage	Efficiency @ full load	Current accuracy	Power factor @ full load	Dimension L x W x H (mm)
100...700 mA	220...240 Vac 220...240 Vdc	9...42 Vdc	89% ( @ 40 V 700 mA)	± 5%	0.9 (Output Power >10 W @ 230 Vac 50 Hz)	181.5 x 31.1 x 42.2

### Electrical specifications

#### Mains voltage supply

Rated input voltage range	220...240 Vac
Max. input voltage range	198...264 Vac
Rated frequency range	0/50/60 Hz
Max. input current	0.15 A @ 230 Vac & 0.15 A @ 230 Vdc

#### Battery operation

DC voltage range	220...240 Vdc
Max. DC voltage range	176...280 Vdc

#### Protection against voltage peaks

Withstand voltage	I/p-O/p: 3 kVac, < 5 mA 60 sec
Mains surge immunity	L-N 1 kV

#### Total harmonic distortion (THD)

At rated input voltage range @ full load	≤ 10%
--	-------

### Output data

Output current tolerance	± 5% at rated input voltage range
No load output voltage	≤ 55 Vdc
Ripple output current	5% (ripple = peak/average total 100 Hz)
Output PstLM	≤ 1 at full load @ rated input voltage
Output SVM	≤ 0.4 at full load @ rated input voltage
DC emergency level	Bluetooth mesh current output decreased to 15% (programmable)

### Protection functions output side

Overvoltage protection	The output voltage is less than or equal to 55 V
Overpower protection	The output power is less than or equal to 31 W
Short circuit protection	Protection device will trigger when short circuit and will auto recover after the fault mode is removed.

### Dimming operation and interface

Standby power consumption	< 0.4 W
Dimming mode	AM dimming
Dimming method	Bluetooth mesh dimming
Dimming current range	1%...100%

### Connection terminals

Connection terminal type	The output terminal is a 45° push-in terminal
Wire cross section	Output wire: 0.5...1.5 mm <sup>2</sup>
Wire stripping length	8...9 mm

### Degree of protection

Protection rating	IP20
-------------------	------

### Operating data

Output current range	NFC control adjusts the current: 100...700 mA
Default current	100 mA
Output voltage range	9...42 Vdc

### Circuit breaker / Inrush current

MCB loading quantity	Inrush current I <sub>peak</sub> : 23 A			Inrush current T <sub>width</sub> : 136 μs	
	MCB type	B10	C10	B16	C16
	Units	34	57	55	91

### Supplementary instructions

- The luminaire manufacturer is responsible for measuring and verifying the EMI compliance of the complete luminaire, as the level of radio interference will vary depending on the luminaire construction. Especially primary and secondary cable lengths and their routing may have a significant effect on radio interference.
- For the push DIM function, please follow our instructions, which can be downloaded from [www.cupower.com](http://www.cupower.com).
- The recommended NFC communication distance: 5...20 mm.

## Environmental specifications

Operating temperature	-20... +35°C
Storage temperature	-25... +85°C
Working humidity	10%...90%
Store humidity	5%...95%
Lifetime	at Tc 65°C: 50,000 hrs @ 230 Vac
Maximum Tc temperature	70°C

## Safety & EMC compliance

ENEC+CE
/
/
/
/
/
/
/

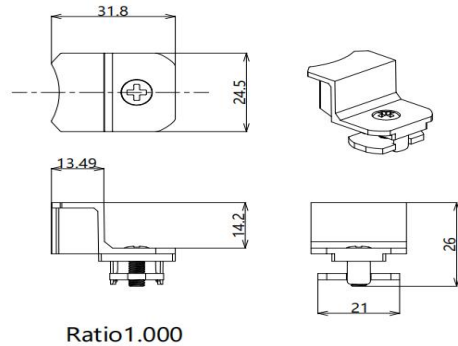
CCC
/
/
/
/
/
/
/

SAA
/
/
/
/
/
/
/

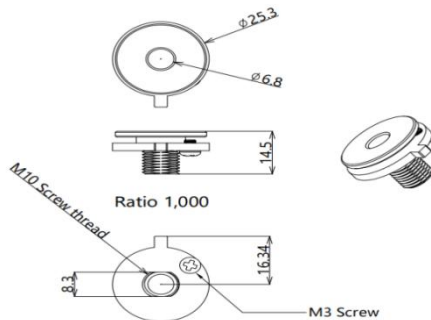
## Compatible Track

Manufacturer/trademark	Model
Powergear	PRO-04XX
GLOBAL	XTS 4xxx
GLOBAL	XTSF 4xxx
A.A.G STUCCHI	9000A series
EUTRAC	XX-Y XX-Y 19-XX-Y
Unipro	T3XXXseries
ZUMTOBEL	S280ZZZZ
IVELA	75XX-XX-XX
iGuzzini	P2XX
XAL	MOVE IT PRO series

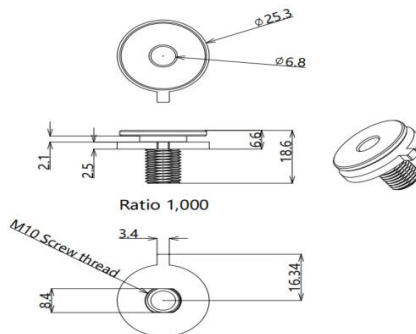
## Accessories (optional)



Art. 167630 XZ-TRACK-A W



Art. 167678 XZ-TRACK-A1 W



Art. 168095 XZ-TRACK-B W

Dimensions	Length (mm)	Width (mm)	Height (mm)
XZ-TRACK-A W	31.8	24.5	26
XZ-TRACK-A1 W	25.3	25.3	14.5
XZ-TRACK-B W	25.3	25.3	18.6

The first two accessories are designed for EL certification of the entire luminaries.  
The third accessory is an optional threaded sleeve for luminaries installation.

### Dimensions

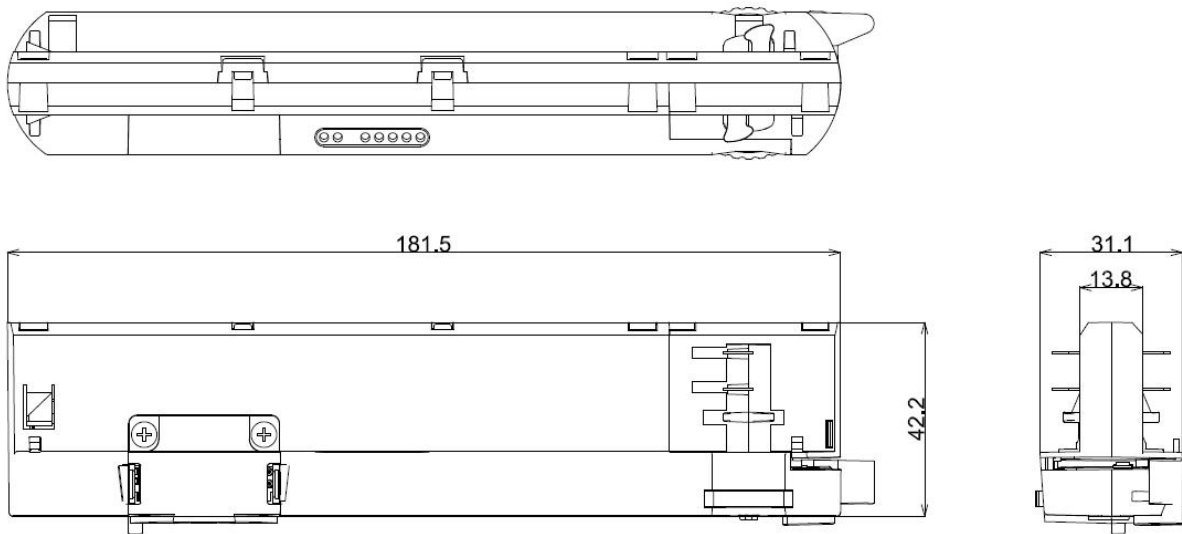
#### Housing dimensions

Length (L)	181.5 mm
Width (W)	31.1 mm
Height (H)	42.2 mm

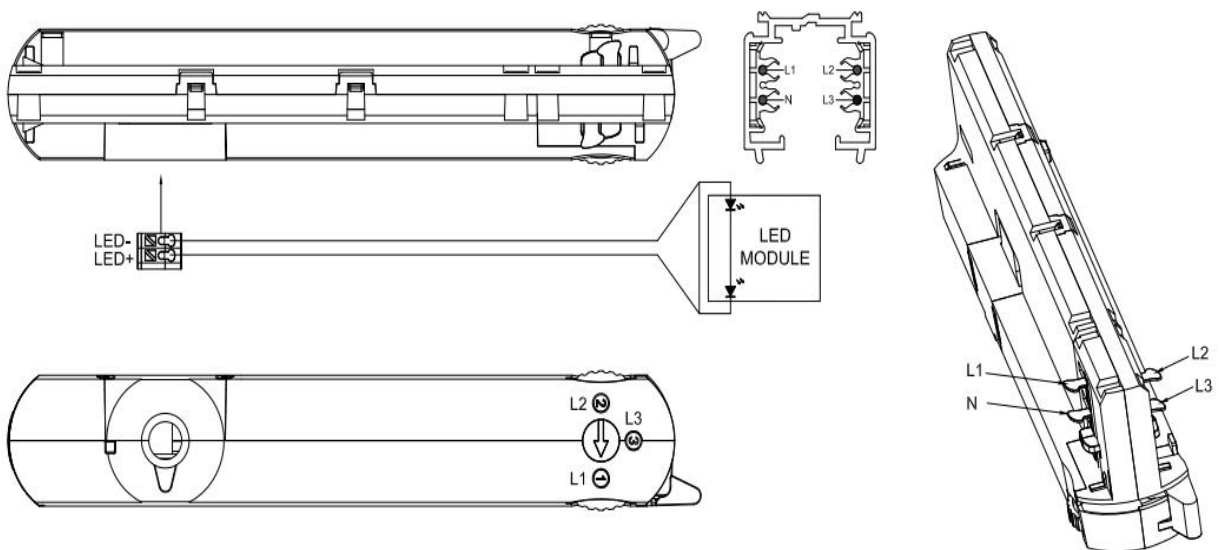
For all dimensions: values in mm; tolerances:  $\pm 0.5$  mm

#### Packaging details

Packing units	50 pcs
Carton size	339 x 200 x 290 mm
Carton weight	6.6 kg
Product Weight	0.125 kg

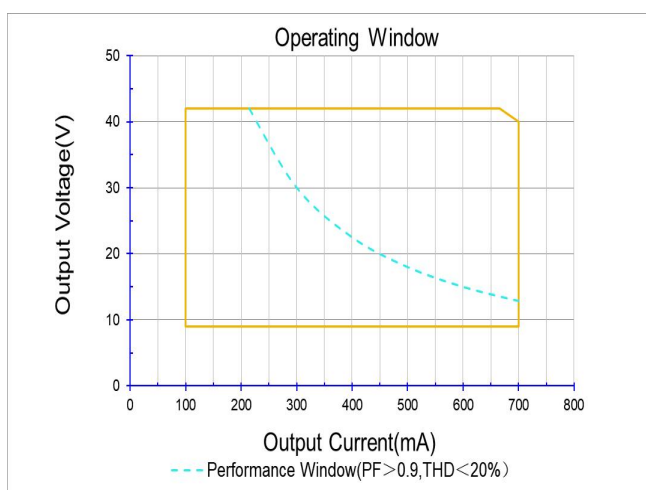
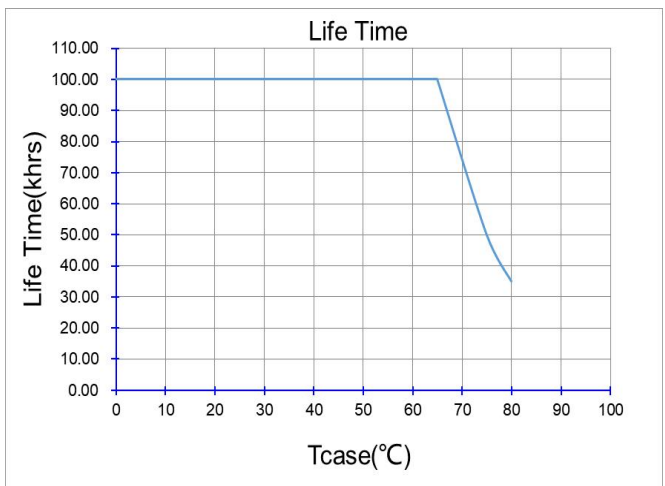
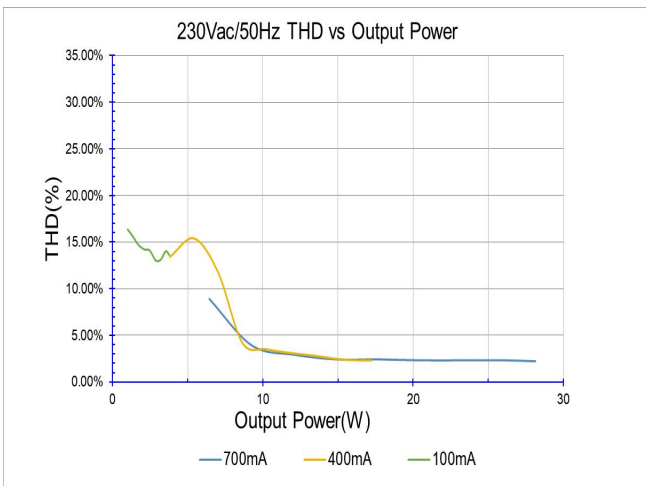
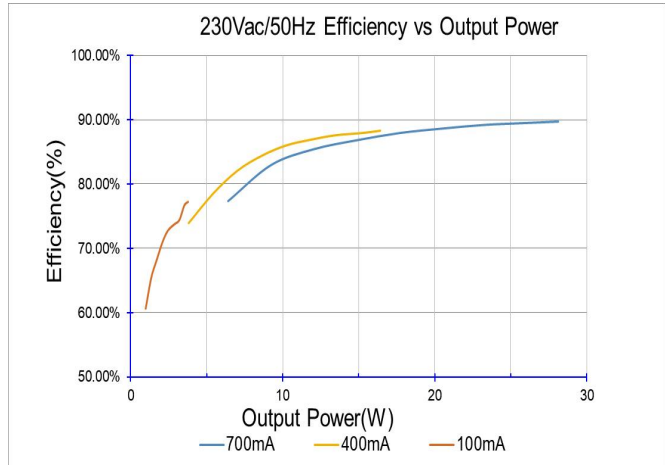
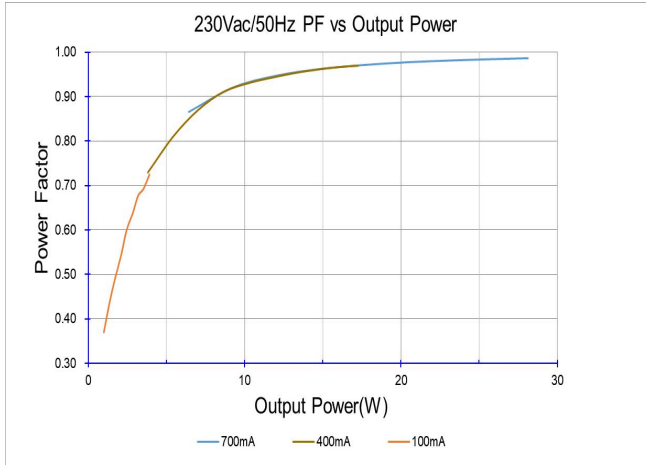


### Wiring diagram



- All connections must be as short as possible to ensure good EMI performance.
- The luminaire wire should keep a certain distance from the LED power supply and other wires (5...10 cm is preferred).
- No secondary switches are allowed.
- Incorrect wiring can damage the LED.
- The wire must be well protected against short circuit.

## Technical information



It's important to set the output current (AOC value) according to the LED voltage and make sure the power is within 28 W + 5%.

### Example of AOC settings

V LED (Vdc)	AOC max	Pout (W)
42	666 mA	28
30	700 mA	21
40	700 mA	28